



 IP65

**WALT IP65 sealed wall terminal with  
54,6 cm / 21.5" touch monitor and 102TPAD stainless steel keyboard**

Order no. WALT-M22P-T-IP65

**Description**

The **WALT IP65 wall terminal** is designed with 54.6cm / **21.5" touch monitor, keyboard** and space for accessories and an optional mini PC. Elegant rounded corners and the powdered surfaces make it a valuable and robust wall terminal.

**Applications**

**Industrial** kiosk, self-service and information applications

**Detailed information about the monitor**

<b>Description</b>	<b>WALT IP65</b> sealed wall terminal with 54.6 cm / 21.5" touch monitor / 102TPAD stainless steel keyboard, order no. WALT-M22P-T-IP65
<b>Housing</b>	1. elegant, sturdy IP65 sealed housing for mounting on a wall. Housing made of sheet steel silver-grey powder-coated and rear side in "anthracite". Rear panel with fixing points and cable entry. Monitor inclination 20° from the vertical. Lockable storage space for Mini-PC. (Maximum dimensions 260 x 200 x 50 mm including cable connections)
<b>Touch monitor</b>	2. with integrated <b>touch monitor 21.5"</b> with PCAP (multitouch), model TIC21.5LGHPCCU, 16:9, Full HD resolution: 1920x1080, VGA, HDMI, Active area: 475x267 mm, contrast 1000:1, viewing angle: 178°, operating temperature: up to 0° - 50°
<b>Keyboard</b>	3. with integrated built-in <b>stainless steel keyboard</b> with touchpad and full layout "Keyboard-102TPAD"
<b>Warranty</b>	24 months

*Customized solutions according to your specifications are possible at WES already from one piece!*

### Optional

We integrate optional buttons or readers, such as emergency stop switches or a barcode reader, below the monitor. Optionally, you can also get a Mini-PC and **other accessories**:

Stainless steel or glass keyboard
Proximity sensor
ID card reader
RFID reader
barcode scanner
Mini PC
Speaker
Webcam without microphone possible behind glass plate
Software solution e.g. Sitekiosk for easy protection of publicly accessible computers



### Company logo and colour

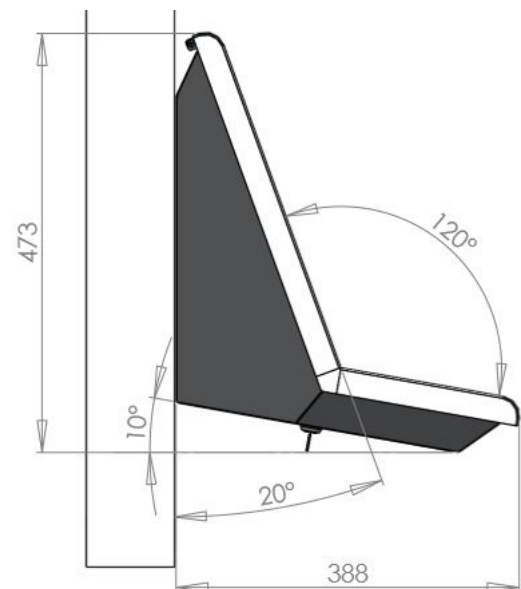
Another highlight is the branding option. Design your WALT IP65 wall terminal in your corporate identity corporate colour or we can put your logo on the panel.

### Maintenance

In case of service, open the WALT IP65 wall terminal upwards. The service door is lockable.



### Drawing



[PDF](#) [Link to enlarged drawing with dimensions](#)

Technical changes and errors excepted.  
Last update 03.01.2023

Customized solutions according to your specifications are possible at WES already from one piece!